



GeoClips[®] (U-Bend Pipe Separators) Energy Flux Diagram

GHP Systems, Inc.
1000 32nd Ave
Brookings, SD 57006

(605) 697-7869 tel
(605) 697-9118 fax
888-447-7757 toll-free
www.ghpsystems.com

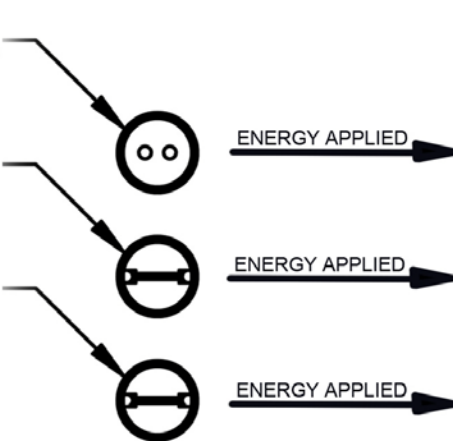
VERTICAL HEAT EXCHANGER BOREHOLE CONFIGURATION

RESULTING ENERGY EFFECTS BASED ON BOREHOLE CONFIGURATION

STANDARD U-BEND INSTALLATION
STANDARD BENTONITE GROUT

U-BEND SPACER USED
STANDARD BENTONITE GROUT

U-BEND BOREHOLE SPACER USED
THERMALLY ENHANCED GROUT



TYPICAL STANDARD CAPACITY
VERTICAL HEAT EXCHANGER

LARGE CAPACITY INCREASE
OVER STANDARD INSTALLATION

CAPACITY INCREASES EVEN MORE WITH
U-BEND SEPARATOR AND THERMALLY
ENHANCED GROUT

Notice: Information contained in this document is subject to change without notice. This document reports accurate and reliable information to the best of our knowledge but our suggestions and recommendations cannot be guaranteed because the conditions of use are beyond our control. The user of such information assumes all risk connected with the use therefore. GHP Systems, Inc. assumes no responsibility for the use of information presented herein and hereby disclaims all liability in regard to such use. GHP Systems, Inc. reserves the right to upgrade the design/specifications of the GeoClips[®] without notice.